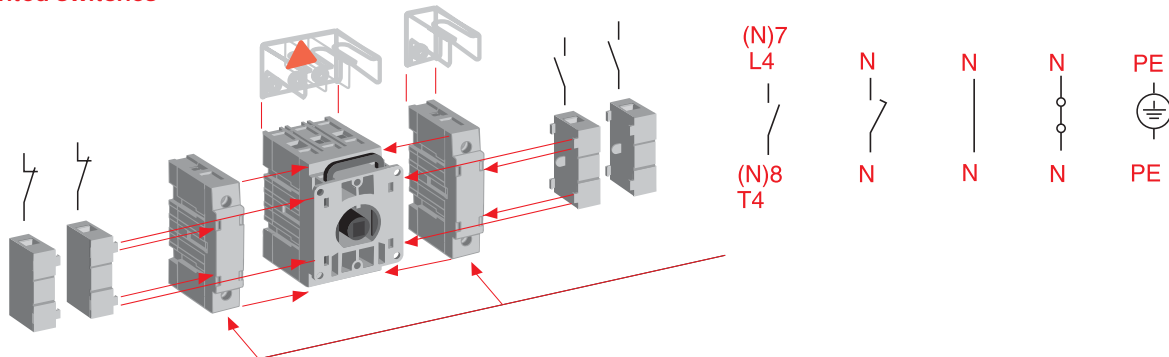


16A – 100A, Door mounted Accessories

Door mounted switches



Auxiliary contacts ① — snap-on mounting

Description	For use on:	Weight (lbs)	AC thermal amp rating	AC rated voltage	Catalog number	List price
1 N.O. mounts on righthand side of switch	OT16 – OT100	0.07	10	600	OA1G10	\$ 20
1 N.C. mounts on lefthand side of switch		0.07	10	600	OA1G01	20

Max. two contacts on each side of switch.

Power poles

- Only one power pole per switch
- Mounts on left or right side of switch

Description	For use on:	Weight (lbs)	AC thermal amp rating	AC rated voltage	Catalog number	List price
Fourth pole②	OT16, OT25, OT32	0.07	40	600	OTPS32ED	\$ 36
	OT45, OT63	0.13	80	600	OTPS63ED	44
	OT30, OT60, OT100	0.20	100	600	OTPS125ED	54
Late-break/early-make②	OT16, OT25, OT32	0.07	40	600	OTPL32ED	36
	OT45, OT63	0.13	80	600	OTPL63ED	44
	OT30, OT60, OT100	0.20	100	600	OTPL125ED	54

Terminal poles

- Switch accepts one terminal pole per side
- Mounts on left or right side of switch

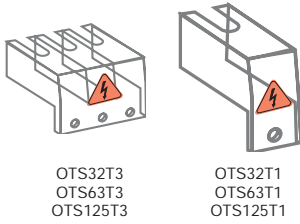
Description	For use on:	Weight (lbs)	AC thermal amp rating	AC rated voltage	Catalog number	List price
Solid neutral ②	OT16, OT25, OT32	0.07	40	600	OTPN32ED	\$ 20
	OT45, OT63	0.13	80	600	OTPN63ED	36
	OT30, OT60, OT100	0.20	100	600	OTPN125ED	50
Detachable neutral ②	OT16, OT25, OT32	0.07	40	600	OTPD32ED	28
	OT45, OT63	0.13	80	600	OTPD63ED	36
	OT30, OT60, OT100	0.20	100	600	OTPD125ED	50
Ground terminal ②	OT16, OT25, OT32	0.07	40	600	OTPE32ED	20
	OT45, OT63	0.13	80	600	OTPE63ED	36
	OT30, OT60, OT100	0.20	100	600	OTPE125ED	50

① UL File # E83510

② Switch accepts one power pole or one terminal pole per side. Only one power pole per switch.

16A – 100A, Door mounted Accessories

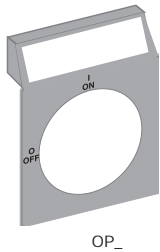
Disconnect switches
Non-fusible



Terminal shrouds* — snap-on mounting for line or load side

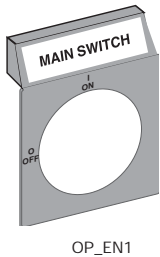
Description	For use on:	Weight (lbs)	Catalog number	List price
3 pole includes one shroud for line or load side	OT16, OT25, OT32	0.02	OTS32T3	\$ 8
	OT45, OT63	0.02	OTS63T3	12
	OT30, OT60, OT100	0.02	OTS125T3	20
4th pole includes one shroud for line or load side	OTP_32ED	0.02	OTS32T1	4
	OTP_63ED	0.02	OTS63T1	6
	OTP_125ED	0.02	OTS125T1	10

All disconnects are IP20 touch safe as standard. Terminal shrouds provide an additional level of protection.



Legend plates for selector handles

Description	For use on:	Catalog number	List price
Blank plate	OH_1_ & OH_3_	OPB1	\$ 6
	OH_1_ & OH_3_	OPY1	6
	OH_2_	OPB2	8
	OH_2_	OPY2	8
Plate marked with: MAIN SWITCH	OH_1_ & OH_3_	OPB1EN1	10
	OH_1_ & OH_3_	OPY1EN1	10
	OH_2_	OPB2EN1	12
	OH_2_	OPY2EN1	12



Locking clip (replacement part)

Description	For use on:	Catalog number	List price
Door mounted switch handle locking clip	OT16, OT25, OT32	CXBY68140	\$ 11

